

ALTOR[®] CORP

PHOENIX, ARIZONA

U.S. Patents 9,328,985 B2 and D776,221 S

Made in the USA

ATTENTION-READ CAREFULLY BEFORE USING YOUR FIREARM

The safety warnings in this booklet are important. By understanding the dangers inherent in the use of any firearm, and by taking the precautions described herein, you can safely enjoy your Altor® firearm. Failure to heed to any of these warnings may result in serious injury to you or others, as well as may cause severe damage to the firearm or other property.

Important: Keep this manual with your firearm.

The information contained in this manual is useful, both for beginners and experienced shooters. In addition to important information about functioning and the cleaning and care of the firearm, the manual contains instructions that may be very helpful in shooting properly. You also may access the Altor website at altorcorp.com to view and print manuals.

CONTENTS

1. Safety Precautions	2 - 4	6. Disassembly	11
2. Get to Know Your Pistol	5	7. Assembly	12
3. Button Safety	6	8. Care and Maintenance	12
4. Loading	7 - 8	9. Parts	13 - 14
5. Firing	9 - 10	10. Altor Service Policy	15
		11. Altor Lifetime Limited Warranty	16

© 2019 ALTOR CORPORATION

1. SAFETY PRECAUTIONS

PISTOLS are classified as FIREARMS and they are DANGEROUS WEAPONS. Altor Corporation sells them with the specific understanding that it is not responsible in any manner whatsoever for their improper or negligent handling or resale under local laws and regulations.

Altor shall not be responsible in any manner whatsoever for malfunctioning of the firearm, or for physical injury or property damage, resulting in whole or in part from (1) criminal or negligent discharge, (2) improper or careless handling, (3) unauthorized modifications, (4) defective, remanufactured, or reloaded ammunition, (5) neglect, or (6) other influences beyond our direct and immediate control. This limitation applies regardless of whether liability is asserted on the basis of contract, negligence or strict liability (including any failure to warn). Under no circumstance shall Altor be liable for incidental or consequential damages, such as loss of use of property, commercial loss and/or loss of earnings or profits.

Regardless of your familiarity or experience with firearms, you need to study this manual. Safety rules are not just for beginners. They are meant for everyone.

The safe handling of firearms requires specialized training, discipline and caution. Firearms, by their nature and intended function, are deadly instruments. Accidental death or serious injury can result if they are handled improperly or carelessly. Firearms accidents usually result because of a failure to obey the basic rules of firearm safety. If you have any question about your knowledge or ability to use this or any other firearm with complete safety you should seek supervised instruction. Personalized instruction is often available from firearms dealers, gun clubs, state hunter safety programs or police departments in the United States. You may also obtain information from the National Rifle Association by visiting their website at www.nra.org.

A person with a firearm must know how to keep and use the firearm safely. No firearm can be made accident-proof, so the ultimate responsibility for the safe use of the firearm resides in the person in possession of the weapon. Altor firearms are designed and made to offer maximum safety when correctly used. However, as with any other weapon, it is not foolproof, and may become very dangerous if all the safety rules are not rigorously observed. Study this manual thoroughly and always adhere to the safety rules listed in it.

DANGER

Never under any circumstances attempt to fire the firearm without the barrel attached.

Always keep the firearm pointed in a safe direction.

Always keep your finger off the trigger until ready to shoot.

Always treat every firearm as if it were loaded.

Always keep the firearm unloaded until ready to use.

WARNING

Know your target and what is beyond.

Never point any firearm, loaded or unloaded, at anything you do not intend to shoot.

Know how to use your firearm safely.

Be sure the firearm is safe to operate.

Use only the correct ammunition for your firearm.

Wear eye and ear protection as appropriate.

Never use alcohol or drugs before or while shooting.

Store firearms so they are not accessible to unauthorized persons.

PRECAUTIONS

- Never point the firearm at anything you do not intend to shoot.
- Always be sure of your target and whatever is behind it before you shoot.
- Never put your hand over the muzzle of a firearm nor point it at any part of your body or at another person.
- Always keep your finger off the trigger until you are aiming at the target ready to shoot.
- Never shoot or handle firearms after consuming beer, wine, other alcoholic beverages, any medications or other drugs that may affect your ability.
- Always check that a firearm is unloaded when you receive it.
- Always load and unload with the muzzle pointed in a safe direction.
- Always check ammunition to be sure it is the right size and caliber, and that it is not damaged.
- Never leave a loaded firearm unattended.
- Never carry any firearm loose in your pocket, purse or waist-band. Always use a pistol case or proper holster.
- Never shoot at hard flat surfaces or water. Bullet may ricochet.
- Never rely solely on the Safety. It is only a mechanical device, not a substitute for common sense.
- Always wear adequate shooting glasses and ear protectors whenever you are shooting.
- Always store firearms unloaded and beyond the reach of children. Store ammunition separately. In addition, take any other reasonable steps to limit the possibility of theft, crime, accident or suicide.

NOTICE

This product is not intended for use by criminals, for use in the commission of crimes or for any other wrongful purpose. Such uses constitute a misuse of the product and have a high likelihood of serious bodily injury or death for the criminal, the wrongdoer, law enforcement officers and/or innocent bystanders.

Write to us concerning any items or circumstances which might relate to your safety and the operation of our products.

Please note that the illustrations in this manual may differ from the actual product.

2. GET TO KNOW YOUR PISTOL

SERIAL NUMBER

SIGHTS

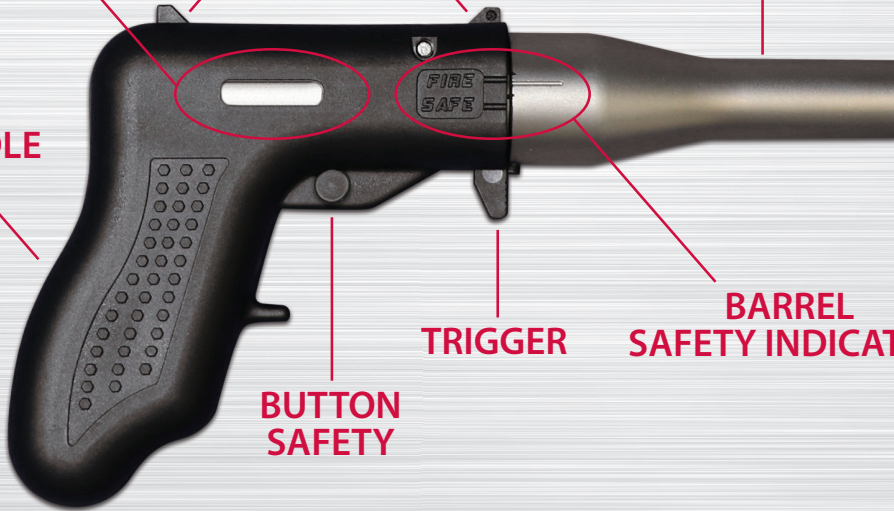
BARREL

GRIP/HANDLE

TRIGGER

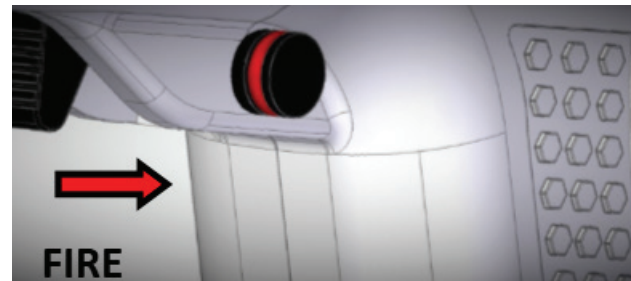
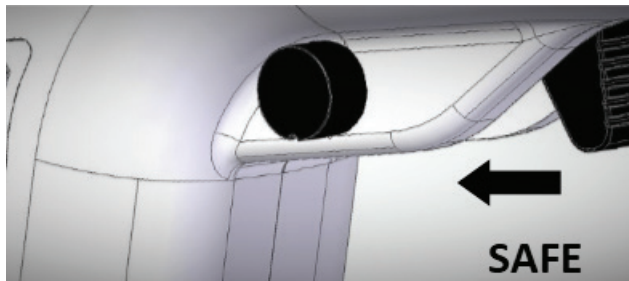
BARREL
SAFETY INDICATOR

BUTTON
SAFETY



3. HOW TO OPERATE THE BUTTON SAFETY

WARNING: BEFORE FIRING, BECOME FAMILIAR WITH THE OPERATION OF THE BUTTON SAFETY BY PRACTICING WITH THE PISTOL UNLOADED.



The button safety, (which is shown in Drawing 1), is a round button located behind the trigger. To put your pistol in SAFE mode, hold it in the normal shooting position, pointed in a safe direction and push the safety button from left to right as far as it will go. The safety is now on SAFE. Always keep the safety button in the SAFE position during Loading/Reloading and until you intend to fire the pistol.

To move the safety to the FIRE position, push the safety button from right to left as far as it will go (See Above Drawing 2). A red ring around the safety button will be visible when the safety is in the FIRE position. If the trigger is pulled with the safety in this position, the gun will fire unless the unique Altor barrel safety is still in the SAFE position. In order to fire the firearm, both the button safety and the barrel safety (See page 7, photo 4) have to be in the FIRE position.

WARNING: NEVER DISASSEMBLE THE SAFETY! NEVER RELY SOLELY ON THE SAFETY. IT IS ONLY A MECHANICAL DEVICE, NOT A SUBSTITUTE FOR COMMON SENSE.

4. LOADING

DO NOT TOUCH THE TRIGGER DURING THE LOADING PROCESS!

- Always make sure the muzzle is pointed in a safe direction.
- Before loading, always clean all grease and oil from the bore (the interior of the barrel of the firearm) and check to be certain that no obstruction is in the barrel.
- Use only high quality, original, factory-manufactured ammunition.
- Use only ammunition of the caliber for which your firearm is chambered and never attempt to use ammunition of any other caliber.
- The use of reloaded, remanufactured, hand-loaded, or other non-standard ammunition can be extremely dangerous and voids all warranties.
- Do not use cartridges that are dirty, wet, corroded, dented or damaged.
- The use of ammunition marked "+P" and "+P+" is not recommended.
- Hold the handle firmly in one hand with the barrel pointing in a safe direction.
- Grip the barrel with the other hand.
- Twist the barrel counter-clockwise to the stop and pull the barrel away from the handle. (see page 7, photo 1)
- The front end of the receiver (see page 7, photo 2) with its slotted shell-holder will now be exposed protruding from the handle.
- With the handle pointing slightly upward, insert the cartridge into the slotted shell-holder. (see page 7, photo 2)
- Re-attach the barrel by sliding it onto the receiver, making sure the word "TOP" is facing up and twisting it slightly clockwise to the first position. There should be a slight resistance from the detent. (see page 7, photo 3)
- The barrel should now be in the "SAFE" position with the indicator line on the barrel in line with the "SAFE" marking on the handle. (see page 7, photo 4)

HOLD

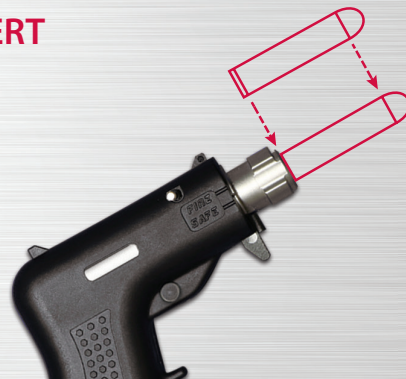
TURN



REMOVE

1

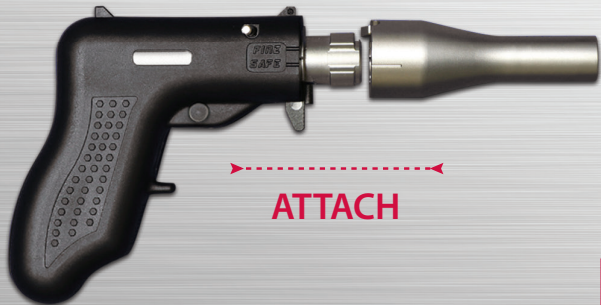
INSERT



2

HOLD

TURN



ATTACH

3

READY TO FIRE / SAFE



4

5. FIRING

DO NOT TOUCH THE TRIGGER UNTIL YOU INTEND TO FIRE THE WEAPON!

Keep the muzzle pointed in a safe direction and your finger away from the trigger until ready to fire.

If while shooting, your firearm develops ANY mechanical malfunction or binding, or “spits” powder, gas, or if a cartridge primer is punctured or ruptured, or if the report on firing does not sound quite right, stop shooting immediately and unload the firearm. Examine the bore for any obstruction and do not reload or continue to try to fire until the obstruction is removed.

If a firearm fails to fire when the trigger is pulled, keep it pointed at the target for at least 30 seconds. Sometimes slow primer ignition will cause a “hang” fire and the cartridge will go off after a short pause.

The firearm may be severely damaged and serious injury to the shooter or to others may result from any obstruction inside the barrel during firing.

Immediately stop shooting and check the barrel for a possible obstruction whenever:

- You have difficulty in, or feel unusual resistance in, chambering a cartridge;
- A cartridge misfires (does not go off);
- Unburned grains of propellant powder are discovered on the firearm;
- A shot sounds weak or abnormal.

In such cases it is possible that a bullet is lodged part way down the barrel. Firing a subsequent bullet into the obstructed barrel can damage the firearm and cause serious injury to the shooter or to bystanders.

If there is any reason to suspect that a bullet is obstructing the barrel, immediately unload the firearm and look through the bore from the back end.

If a bullet is in the bore, do not attempt to shoot it out by using another cartridge or a blank cartridge. This can generate excessive pressure and damage the firearm and cause serious personal injury.

Attempt to remove the bullet by tapping with a cleaning rod. If you remove the bullet successfully, then clean any unburned powder grains from the bore and mechanism before resuming shooting. If the bullet cannot be dislodged by tapping it with a cleaning rod, take the firearm to a gunsmith.

Use lubricants sparingly on the moving parts of your firearm. Avoid excessive spraying of any aerosol firearm care product especially where it may get on ammunition. All lubricants can penetrate cartridge primers and cause misfires.

CAUTION-Discharging firearms in poorly ventilated areas, cleaning firearms, or handling ammunition may result in exposure to lead and other substances known to cause birth defects, reproductive harm, and other serious physical injury. Have adequate ventilation at all times. Wash thoroughly after exposure.

To ready the weapon to fire, hold the handle firmly with one hand and twist the barrel clockwise to the "FIRE" position with the other hand. The indicator line on the barrel should now be in line with the "FIRE" marking on the handle.

Next move the button safety from right to left to the "FIRE" position. In order to fire the weapon, both the button safety and the barrel safety have to be in the "FIRE" position.

To fire the weapon, place your finger on the trigger and draw it smoothly back all the way until the weapon fires.

Unlike other types of triggers, the Altor trigger just requires a full pull backwards and then the weapon will fire once your finger is clear of the trigger.

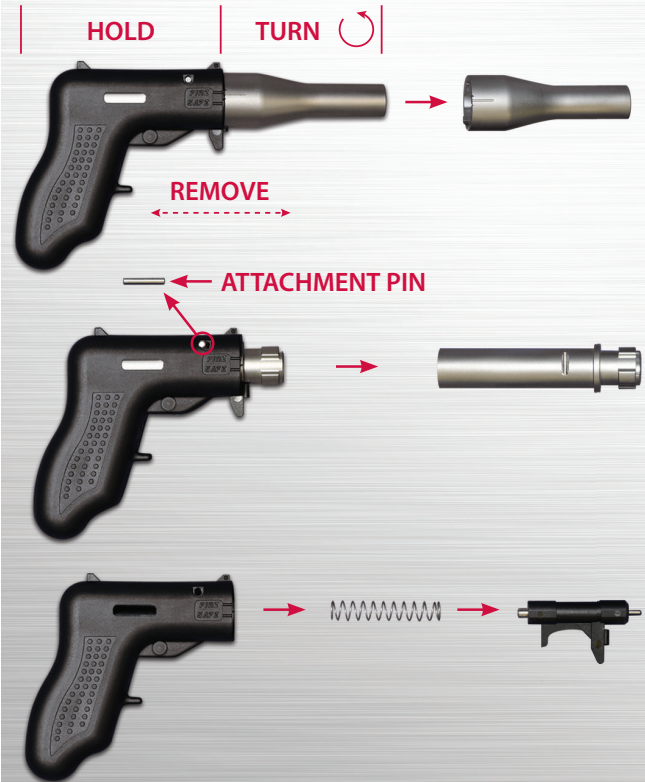


FIRE!

6. DISASSEMBLY

DO NOT TOUCH THE TRIGGER UNTIL YOU INTEND TO FIRE THE WEAPON!

- Hold the handle firmly in one hand with the barrel pointing in a safe direction.
- Grip the barrel with the other hand.
- Twist the barrel counter-clockwise to the stop and pull the barrel away from the handle.
- Using a 1/8-inch punch, a nail, or similar object, tap the attachment pin until it comes out of the handle.
- Next pull the receiver out of the handle, being careful not to lose any of the internal parts.
- The firing spring and the striker assembly should fall easily out of the receiver.



7. ASSEMBLY

- To assemble the firearm, reverse the disassembly procedure.
- Insert the striker into the receiver with the firing pin end facing forward.
- Next insert the firing spring into the receiver.
- Finally, insert the entire receiver assembly into the handle.
- Place the attachment pin into the hole on the side of the handle at the top. Tap the pin with a 1/8-inch punch, a nail, or a similar object until it is centered within the hole approximately an equal distance from each side.
- Re-attach the barrel by sliding it onto the receiver and twisting it slightly clockwise to the first position. There should be a slight audible click and slight resistance from the detent spring.
- The barrel should now be in the "SAFE" position with the indicator line on the barrel in line with the "SAFE" marking on the handle.

8. CARE AND MAINTENANCE

Be certain the firearm is unloaded before cleaning.

Regular cleaning is important for your firearm to operate correctly and safely. To keep the firearm in perfect condition, it must be kept clean and the metal parts should be covered with a slight film of good quality oil to prevent corrosion. This is especially necessary after use.

Under normal conditions, it is only necessary to remove the barrel for cleaning using the procedure described in section 3, photo 1.

Use an appropriate brass brush and a good quality gun cleaning solvent to remove all residues of powder from the barrel and the chamber. If particles of lead are detected in barrel they must be scrubbed with a brass brush, drenched with oil.

Once cleaned, the barrel and chamber should be lightly lubricated with a good quality gun oil.

Should the firearm be exposed to water, sand, or other types of contaminants, the firearm should be fully disassembled using the procedure described in section 5. All internal parts should then be thoroughly cleaned, dried, and slightly lubricated before being re-assembled using the procedure described in section 6.

9. PARTS

Altor Firearms are manufactured to perform properly with the original parts as designed. It is your duty to make sure any parts you buy are installed correctly and that neither replacements nor originals are altered or changed.

Your firearm is a simple tool but it has many parts that must relate correctly to other parts. Putting a firearm together with wrong or modified parts can result in a damaged firearm, danger and injury or death to you and others through malfunction. Always have a qualified gunsmith work on your firearm.

Please have your serial number ready when calling or writing to order parts.

All firearms require periodic maintenance and inspection which may reveal a need for adjustment or repair. If you notice any mechanical malfunction, do not continue to use the firearm. Unload the firearm and take it to a competent gunsmith immediately.

Similarly, if water, sand, or other foreign matter enters the internal mechanism, the firearm should be dismantled for complete and thorough cleaning. Failure to keep your firearm clean and in proper working order can lead to a potentially dangerous condition.

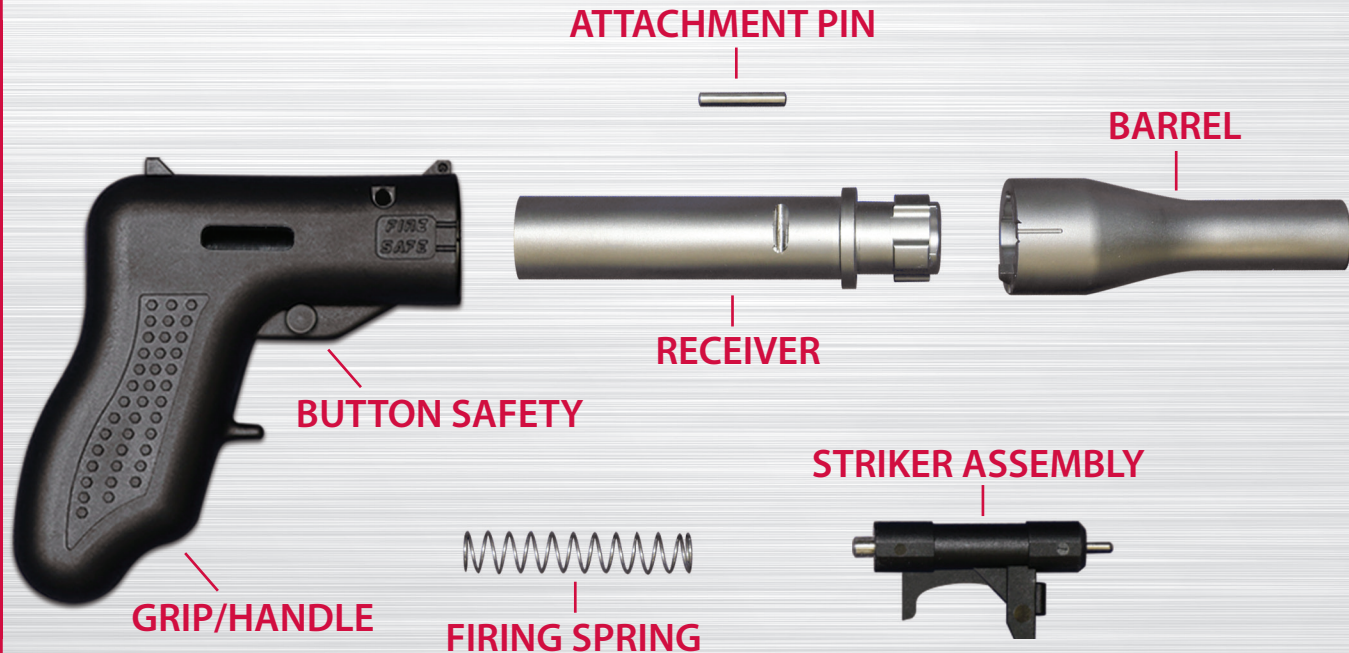
Altor Corporation maintains a full complement of replacement parts for our firearms of current manufacture. Even though most gunsmiths have the knowledge, training and ability to make the necessary repairs to your firearm, the skill and workmanship of any particular gunsmith is totally beyond our control.

Remember, unauthorized adjustments or parts replacement can void your warranty. It is the responsibility of the purchaser to be absolutely certain that any parts ordered from Altor are of the correct type and are properly fitted and installed by a competent person.

THIS FIREARM IS A PRECISION MECHANISM AND THE IMPROPER FITTING OF PARTS OR IMPROPER MECHANICAL ADJUSTMENT MAY RESULT IN A DANGEROUS MALFUNCTION, DAMAGE TO THE FIREARM, AND POSSIBLE SERIOUS INJURY TO THE SHOOTER OR TO OTHERS.

Therefore, the purchaser and/or installer of parts must accept full responsibility for the correct adjustment of and function of the firearm after such installation has been made or attempted.

PARTS BREAKDOWN



10. ALTOR SERVICE POLICY

NOTICE: Go to www.altorcorp.com and complete a **Consumer Service Request form**.

Before shipment, your firearm was carefully inspected in order to ensure that it conformed to our specifications and standards. Should your firearm require adjustment or repair, we strongly recommend that you return it to Altor for factory service.

If there is any question regarding the performance of your firearm, please write to our Customer Service Department fully describing all circumstances and conditions involved. If our Customer Service Department makes the determination that your firearm requires factory service, you will be so advised and will be given instructions for the most expeditious handling of your shipment.

Our Customer Service Department will give your firearm a complete inspection, and evaluate the problem (s) specified in your letter. If the work required is not covered under the terms of our "Warranty" (when applicable) you will receive an actual cost quotation, not an estimate. Any charge for repair work must be authorized by you, and no work will be done without your expressed approval.

Please follow these suggestions to expedite service in the

United States of America to return any firearm to us for adjustment or repair.

1. Federal law permits you to return your firearm to the manufacturer for service via common carriers. However, state and local firearms laws vary greatly; you should consult your local prosecuting attorney regarding any restrictive laws in your jurisdiction regarding your shipment or receipt of firearms. With the above in mind, it is strongly recommended that any firearm sent to us for repair be sent through a Federally licensed dealer.
2. All firearms must be shipped to us prepaid.
WE WILL NOT ACCEPT COLLECT SHIPMENTS.
You can find the ship to address on www.altorcorp.com.
3. Be sure to enclose a letter stating your name, address and telephone number, serial number, and caliber of your firearm. Also state nature of trouble experienced or work required. Merely stating "defective" or "repair as necessary" is inadequate information. Be specific and enclose copies of any previous correspondence.
4. **FIREARMS MUST BE SHIPPED UNLOADED.** Double check to make sure your firearm is NOT loaded before shipping. If firearms are sent to Altor in a loaded condition, we are required by law to notify the Federal authorities.

11. ALTOR LIFETIME LIMITED WARRANTY

NOTICE: Go to www.altorcorp.com to register your firearm and activate your warranty.

This limited warranty has been drafted in compliance with the Magnuson-Moss Warranty Federal Trade Commission Improvement Act, which is effective for goods manufactured on or after December 31, 1995.

Altor Corporation is totally committed to the very highest standards of quality, dependability, and most of all customer satisfaction. The Altor Limited Lifetime Warranty is a commitment to repair Altor firearm models FREE OF CHARGE for the lifetime of the firearm. This warranty pertains to the original retail purchaser only.

Under no circumstances shall Altor Corporation be held liable for incidental or consequential damages with respect to economic loss, injury or property damage resulting from the breach of either the express or implied warranty. This limitation does not apply to states that disallow the exclusion of consequential or incidental damages.

This warranty does not cover defects or damage caused by: (1) unreasonable or negligent use; (2) failure to provide proper care or maintenance; (3) failure to comply with instructions in the owner's manual; (4) normal wear and tear for the degree of use; (5) rust or corrosion; (6) obstructions in the barrels; or (7) excessive use. Altor Corporation will also NOT be responsible for criminal misuse, negligence or use under the influence of drugs or alcohol.

Altor Corporation reserves the right to determine what constitutes the unreasonable or excessive use of the firearm. This warranty does not cover any claims made by the second or subsequent owner of an Altor Corporation firearm as stated above.

ANY UNAUTHORIZED ALTERATION OR MODIFICATION OF THE FIREARM OR USE OF PARTS OR COMPONENTS NOT ORIGINALLY MADE BY ALTOR CORPORATION SHALL VOID THIS WARRANTY. ALTOR CORPORATION SHALL NOT BE RESPONSIBLE FOR ANY CLAIMS INVOLVING THIS FIREARM THAT RESULT FROM THE USE OF FAULTY, NONSTANDARD, REMANUFACTURED, OR RELOADED AMMUNITION OR AMMUNITION NOT MANUFACTURED TO NATO AND/OR SAAMI SPECIFICATIONS.

WHAT DO YOU HAVE TO DO FOR WARRANTY SERVICE?

You must take 3 steps to get warranty service

1. **Notify us by email at warranty@altorcorp.com if you discover a defect in material or workmanship.**
2. **Write a brief description of the defect and how YOU experienced or discovered the defect.**
3. **Follow the return instructions you receive from Altor Corporation**